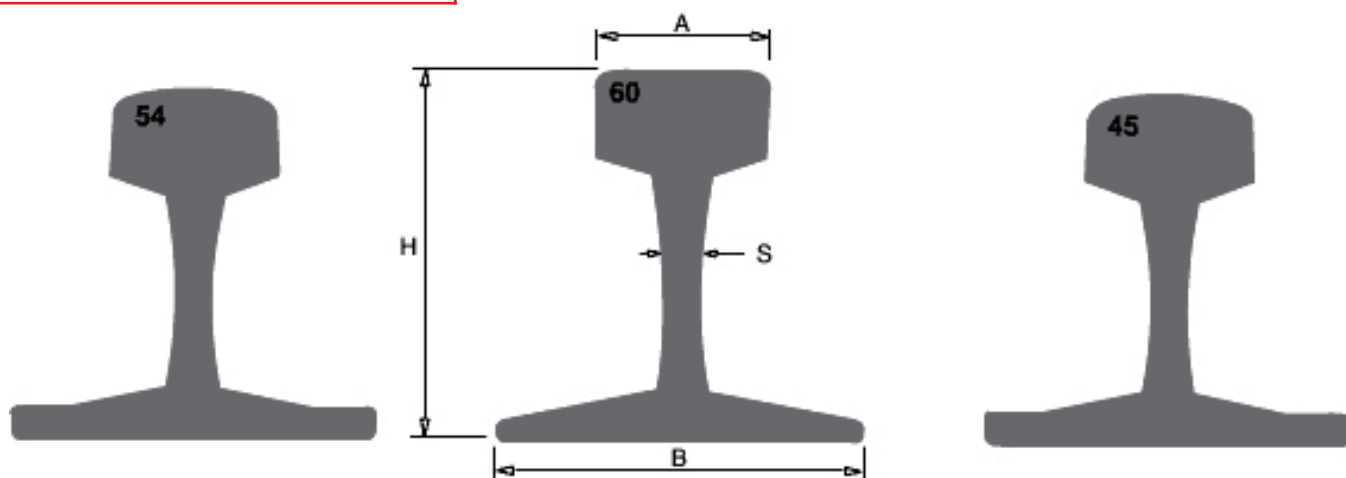


# RAILES PESADOS

HEAVY RAILS

RAILS LOURDS

CARRIL PESADO



## RAILES PESADOS

Riel vignole (riel férreo) - Perfiles europeos

|                | PESO  | CABEZA<br>A | ALTURA<br>H | PATIM / BASE<br>B | ALMA<br>S |
|----------------|-------|-------------|-------------|-------------------|-----------|
|                | kg/m  | mm          | mm          | mm                | mm        |
| RN45           | 44.79 | 66.0        | 142.0       | 130.0             | 15.0      |
| 46E2 (U33)     | 46.27 | 62.0        | 145.0       | 134.0             | 15.0      |
| 49E1 (S49 DIN) | 49.34 | 67.0        | 149.0       | 125.0             | 14.0      |
| 50E6 (U50)     | 50.90 | 65.0        | 153.0       | 140.0             | 15.5      |
| 54E1 (UIC54)   | 54.77 | 70.0        | 159.0       | 140.0             | 16.0      |
| 54E2 (UIC54E)  | 53.82 | 67.01       | 161.0       | 125.0             | 16.0      |
| 54E3 (S54 DIN) | 54.57 | 67.0        | 154.0       | 125.0             | 16.0      |
| 60E1 (UIC60)   | 60.21 | 72.0        | 172.0       | 150.0             | 16.5      |

Riel vignole (riel férreo) - Perfiles americanos

|                | PESO  | CABEZA<br>A | ALTURA<br>H | PATIM / BASE<br>B | ALMA<br>S |
|----------------|-------|-------------|-------------|-------------------|-----------|
|                | kg/m  | mm          | mm          | mm                | mm        |
| 141RE (TR70)   | 69.79 | 77.79       | 188.91      | 152.40            | 17.46     |
| 136RE (TR68)   | 67.41 | 74.61       | 185.74      | 152.40            | 17.46     |
| 133RE          | 66.10 | 76.20       | 179.39      | 152.40            | 17.46     |
| 132RE          | 65.31 | 76.20       | 180.98      | 152.40            | 16.67     |
| CB122          | 60.77 | 74.61       | 172.24      | 152.40            | 16.67     |
| 119RE          | 58.87 | 67.47       | 173.04      | 139.70            | 15.88     |
| 115RE (TR57)   | 56.90 | 69.06       | 168.28      | 139.70            | 15.88     |
| 100RE (TR50)   | 50.35 | 68.26       | 152.40      | 136.53            | 14.29     |
| 100ARA-B       | 49.88 | 67.47       | 143.27      | 130.57            | 14.29     |
| 100ARA-A       | 49.80 | 69.85       | 152.40      | 139.70            | 14.29     |
| 90ARA-A (TR45) | 44.65 | 65.09       | 142.88      | 130.18            | 14.29     |